

Name:

Matr.Nr.:

Gruppe: 08:30 10:15

Abgabefrist: 22.03.2010

Abzugeben: Quellcode elektronisch.

Tutor:

Punkte:

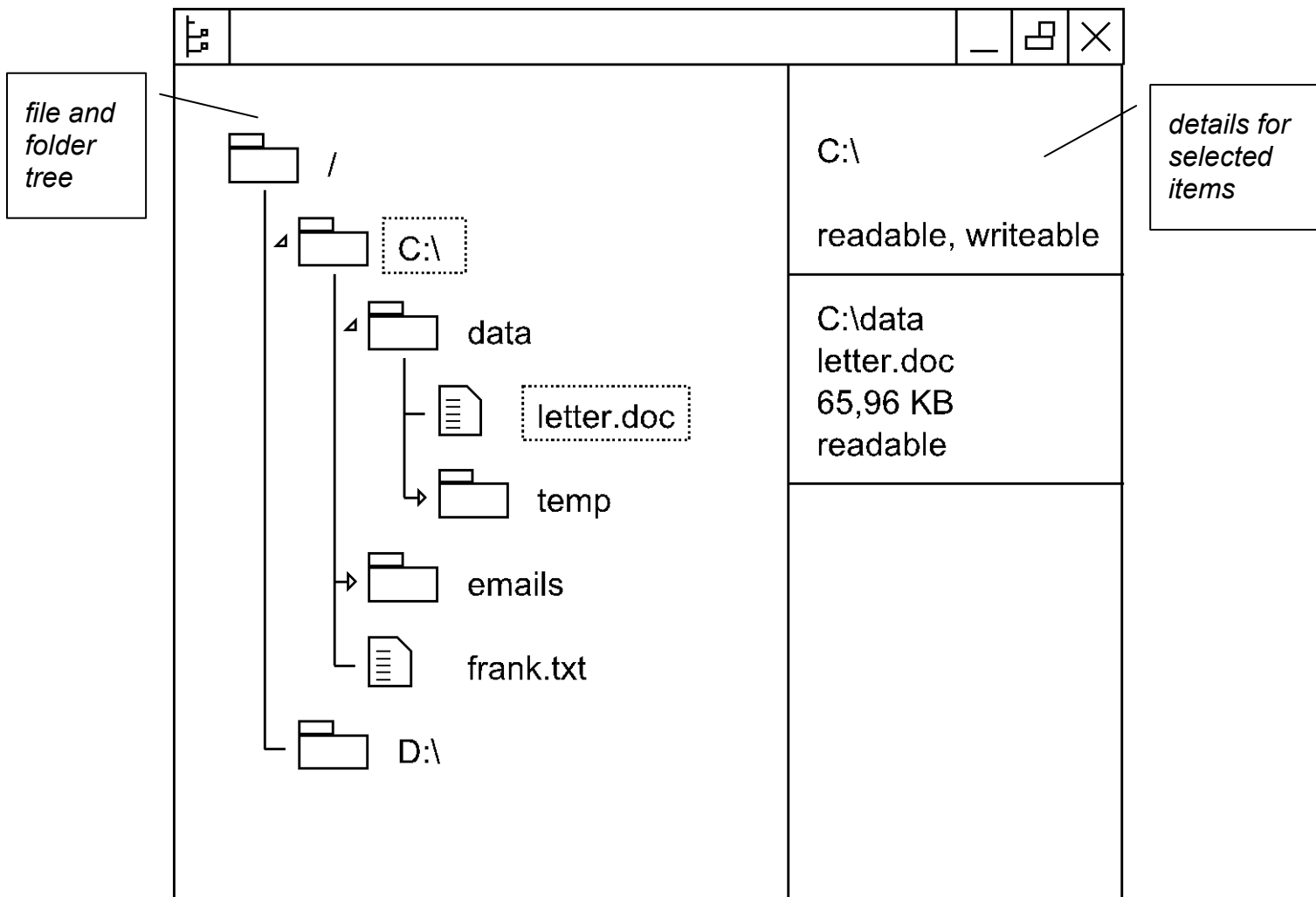
Maximal: 24 Punkte

Swing

Implement FileBrowser, a graphical directory and file viewer. FileBrowser must:

- show all roots of the system, e.g.: hard-disks, cd-drives
- use a JTree to show the files and directories
- use a JList to show details of the selected files and directories

Our designer Steve already came up with a sample design (Picture 1).



Picture 1, Sample Design

Load the contents of a directory only when the user opens it. Implement a clean data model based on *java.io.File*.